



# Auggie Octopus Manual

ASSEMBLE ONLY WITH ADULT SUPERVISION

**PLEASE READ ALL OF THE DIRECTIONS PRIOR TO BEGINNING ASSEMBLY.  
DO NOT APPLY EXCESSIVE FORCE TO THE POLES DURING ASSEMBLY.**

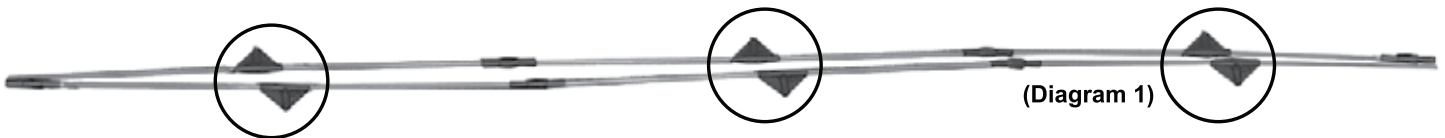
Enjoy your Play Structure and be sure to contact us for any further information or help.

**Step 1. Connect and lay out all of the individual poles to ensure that you have all of the following:**

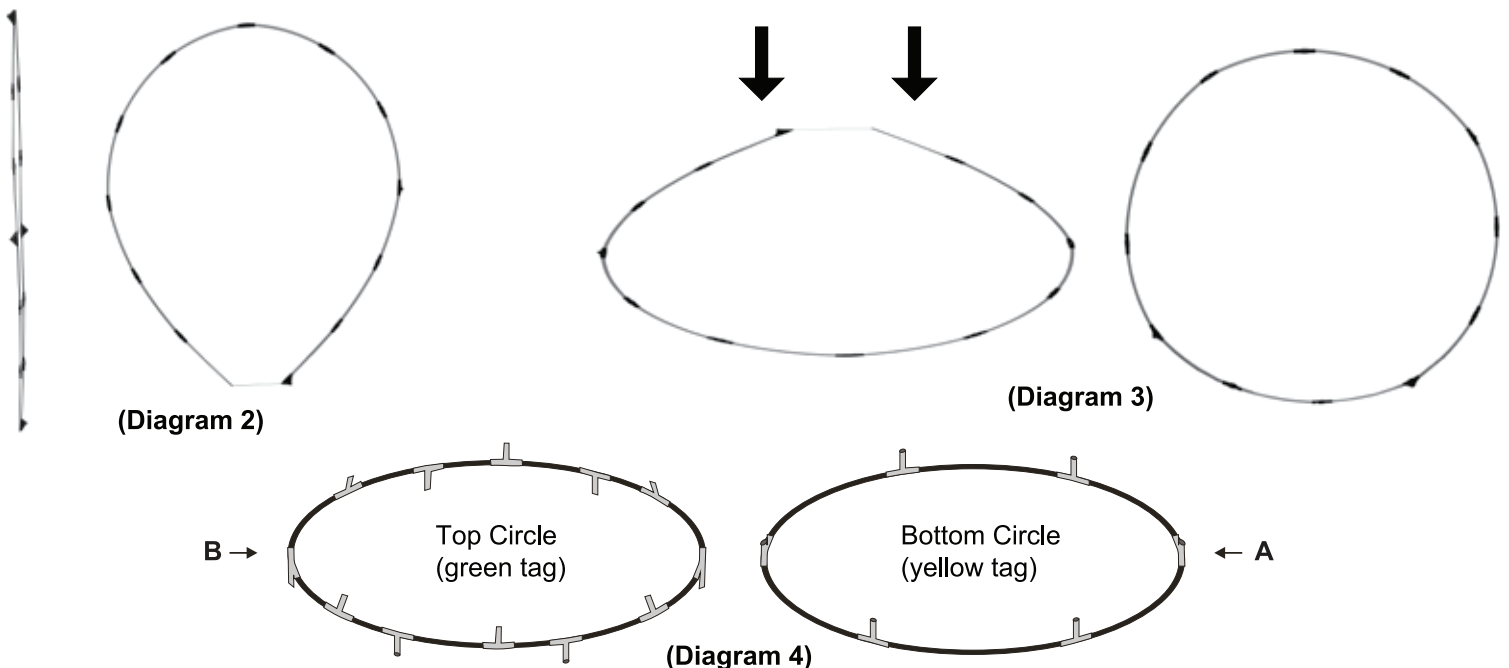
- A = 12 section poles with cord connecting all pieces with Yellow tags (qty 1 ~ 125" length)
- B = 12 section poles with cord connecting all pieces with Green tags (qty 1 ~ 125" length)
- C = 5 section poles with cord connecting all pieces with Purple tags (qty 3 ~ 62" length)
- D = 6 section poles with cord connecting all pieces noted with Blue Tags (qty 6 ~ 29" length)

## Step 2. Assembling the Circles

First you will need to make circles from the twelve (12) section poles. Connect the sections together until you have two straight sections that are six (6) a piece **(Diagram 1)**.



Hold the pole vertically. Grasp the top sections of the pole and while pushing downward connect the top triangular connector to the yellow pole section. This will result in a "U" shape forming **(Diagram 2)**. Now take the opposite end and bring it up to connect it together. Push downward on both sides you are going to connect, using the floor as resistance with the opposite side. Once connected you should have a circle shape **(Diagram 3)**. Repeat this process with the other pole to complete the top and bottom circles **(Diagram 4)**



**YJ USA Corp. DBA Bazoongi**

3970 Lindbergh Drive Addison, Texas 75001 U.S.A.

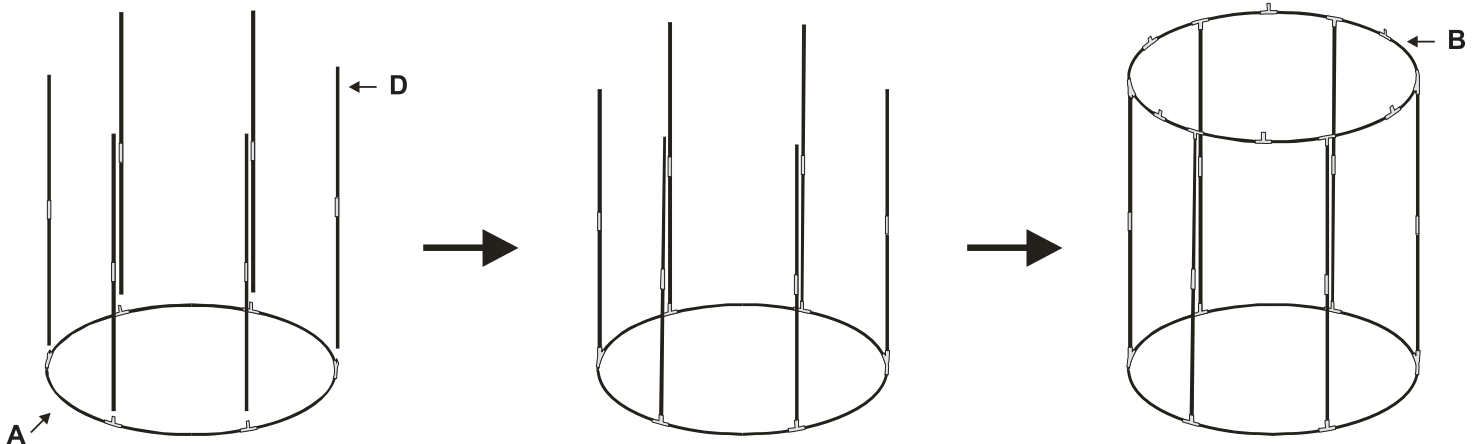
Toll Free: 1.800.206.5611 Website: [www.bazoongi.com](http://www.bazoongi.com)



# Auggie Octopus Manual Cont'd.

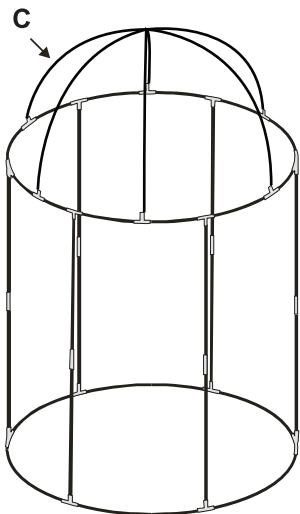
## Step 3. Assembling the Frame

Lay the bottom yellow tagged circle (**A**) on the ground with the connectors facing upward. Now take the 2 section blue tagged poles (**D**) and insert them into the six connectors of the bottom circle. Next, connect the top green tagged circle (**B**) onto the 2 section blue tagged poles (**D**). Make sure that the connectors alternate between facing downward and upward. (**Diagram 5**).



(Diagram 5)

Now take the 5 section purple tagged poles (**C**). Insert one pole into the upward facing connector of the top circle and arch and connect the other end to the connector directly opposite from it. Repeat for the other two poles. (**Diagram 6**).



(Diagram 6)



## Step 4. Finishing

Slip the material body over the the assembled frame. Make sure that the doorways are between two of the vertical frame poles.

Start at the Arch Doorway. Wrap the Yellow Circle frame with the split velcro area.

Make your way around the frame and pull the lip of the material over the edge of the circle. When you reach the other door, cover the circle frame as you did previously.

Connect the two ends of the lip with the velcro tab. Use the ties at the top of the roof and along the two circle frame poles to secure the body to the frame.

Attach the round floor piece to the bottom at the velcro spots.

**YJ USA Corp. DBA Bazoongi**

3970 Lindbergh Drive Addison, Texas 75001 U.S.A.

Toll Free: 1.800.206.5611

Website: [www.bazoongi.com](http://www.bazoongi.com)